

May 2, 1961

C. L. McCLINTOCK

2,982,261

AIR ENGINE

Filed July 7, 1958

2 Sheets-Sheet 2

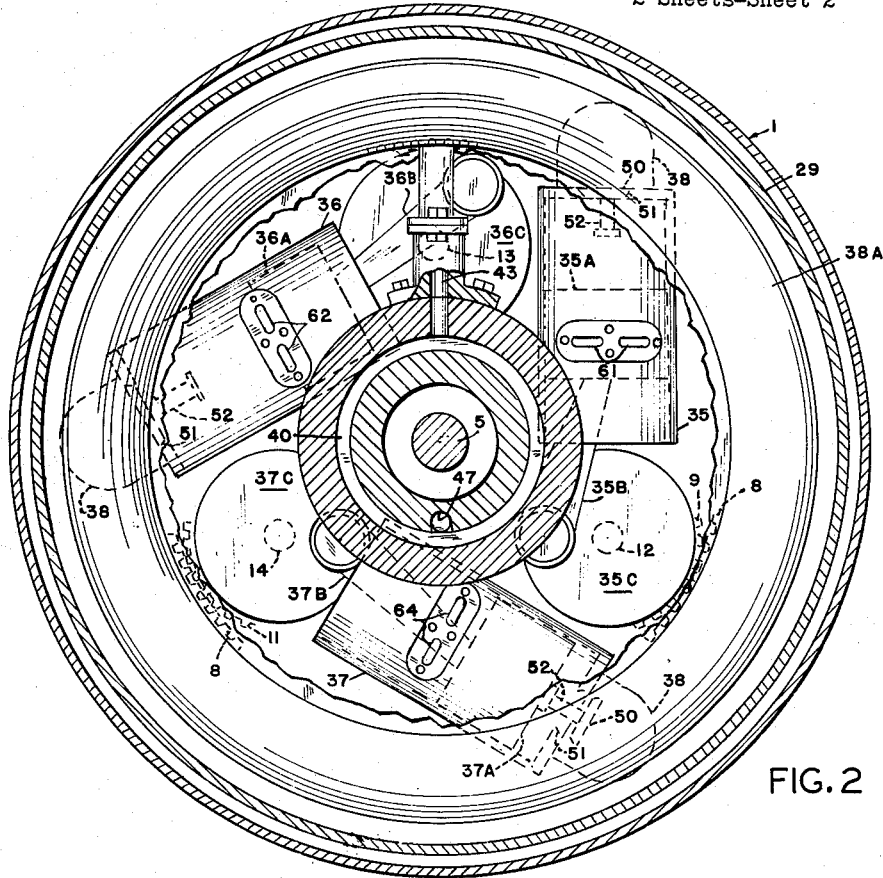


FIG. 2

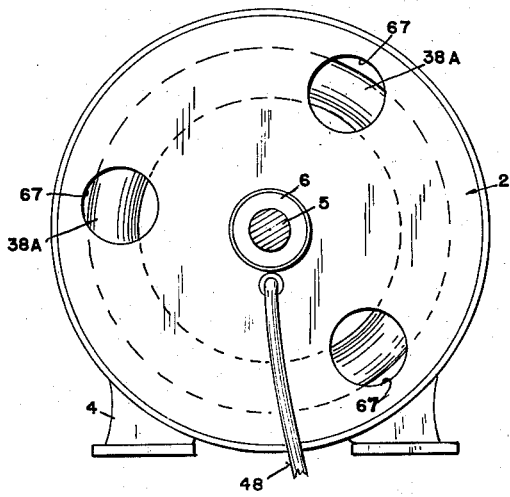


FIG. 3

CLEO L. McCLINTOCK
INVENTOR.

BY *James R. Quinn*
ATTY.