

May 2, 1961

C. L. McCLINTOCK

2,982,261

AIR ENGINE

Filed July 7, 1958

2 Sheets-Sheet 1

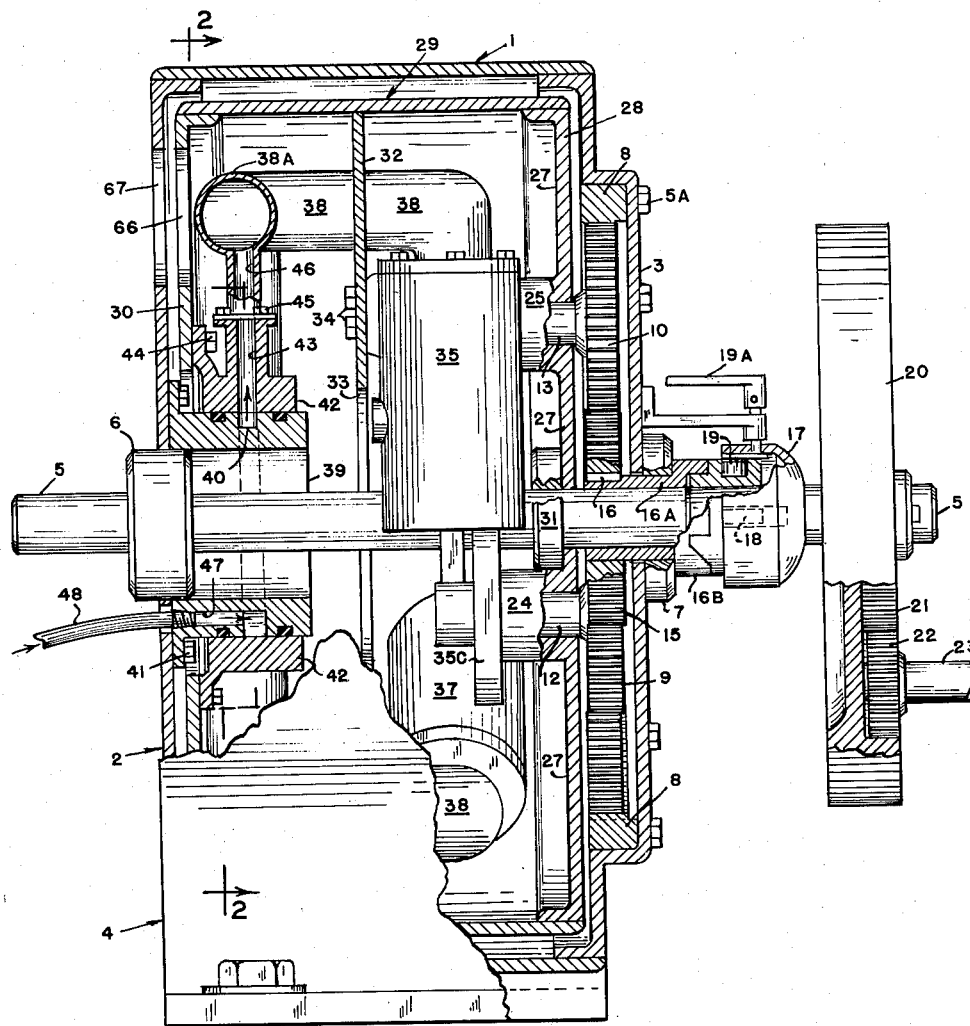


FIG. 1

CLEO L. McCLINTOCK
INVENTOR.

BY *James E. Givens*
ATTY.